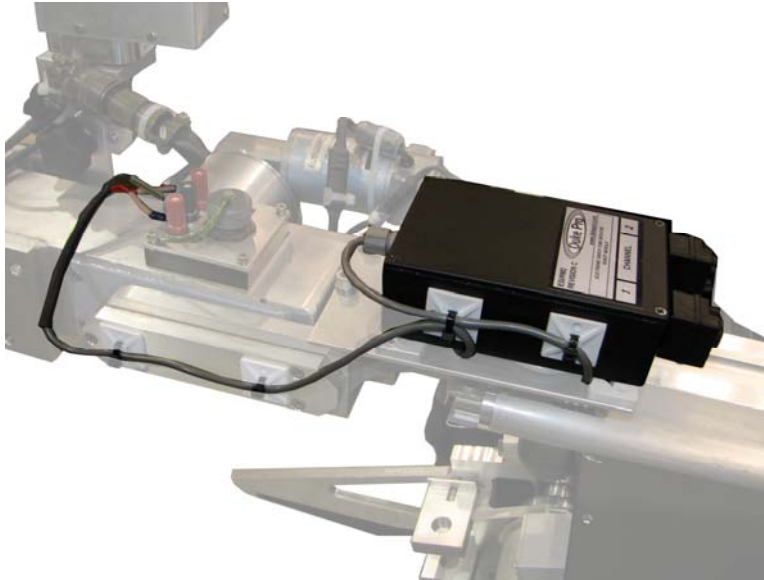


Shock Tube initiators:

- One Channel, Two Channel, Four Channel

The one, two or four channel Shock Tube Initiator mounts on the lower arm assembly. The STI allows the user to detonate disrupters and other devices requiring shock tube for initiation. Each initiating port is wired to the corresponding weapons ports on either the upper Wrist pitch or on the front of the Electronics Housing.



-C7055-5550 Charge Dropper Assembly (330ft):

Allows user to place a countercharge remotely and then remove the robot system to a safe distance before detonating the countercharge.

